

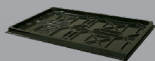
TL3.6PH-S

3.6 Ton 4 Post Parking Hoist - Standard Height



- » 3.6 Ton lifting capacity
- » Double your parking space
- » Diamond plated platforms
- » Single point lock release
- » Mechanically locks each (170mm) interval
- » Anti-surge valve
- » Slack / loose cable safety locks
- » Durable charcoal Hammertone powder coat finish
- » 5 Year structural, 1 year electrical, parts & labour warranty
- » Certified to Australian Standards and design registered with Worksafe

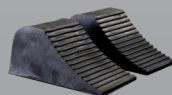
INCLUSIONS



Drip Trays



Wheel Stops



Wheel Chocks



Hydraulic Oil



Caster Kit

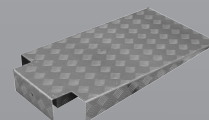


Steel Tool Tray

OPTIONS

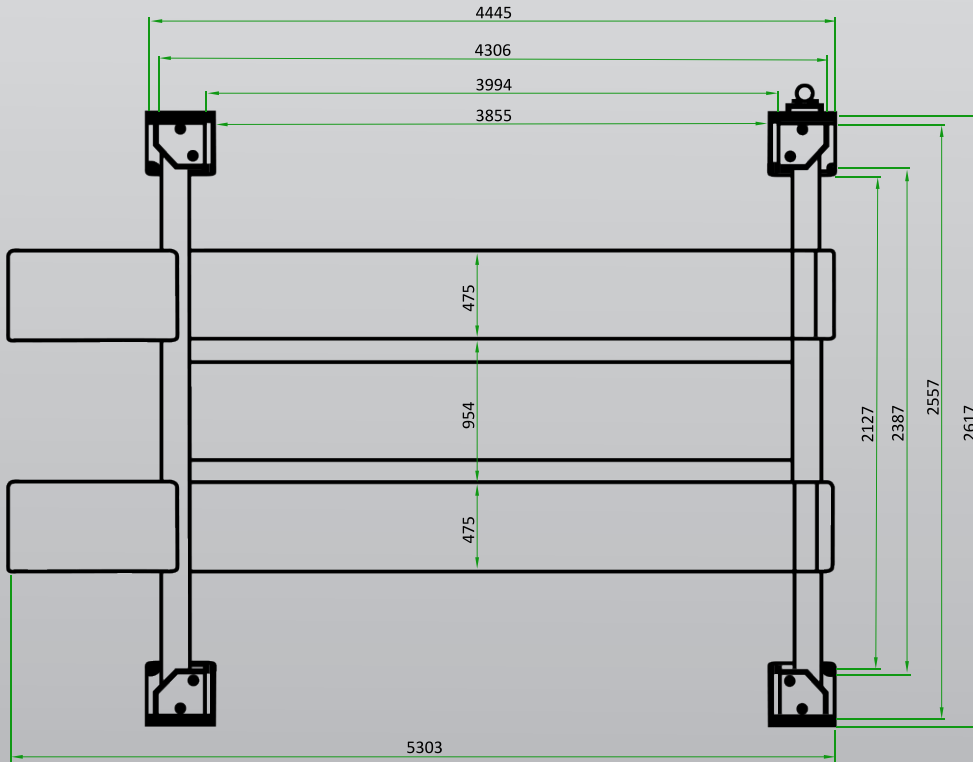


RJ35 Manual Sliding Jack



Aluminium Approach Ramps

TL3.6PH-S



Minimum Concrete Requirement

100mm

Recommended Ceiling Height

3.4m

Power Requirements

240v

2.2kw 14.5 amps

Freight Dimensions

428 x 57 x 76cm

760kg

