

TLG4.0BP

4.0 Ton 2 Post Base Plate Hoist - TurfLift



» 4.0 Ton motor vehicle lifting capacity
3.0 Ton TurfLift capacity

» Designed for low ceiling clearance

» Symmetric arms

» Durable charcoal powder coat finish

» Standard motor vehicle arm kit included

» Dual lock release

» The TLG4.0BP is an all rounder hoist designed to lift by tyres or frame, providing access to gear box, blades, reels and other components

» Suitable for walk mowers, triplexes, fairway mowers, large cut mowers, golf carts and vehicles

Mechanical carriage locks

Arm locks

Anti burst valve

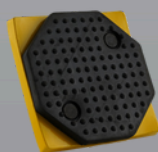
5 Year structural, 1 year electrical, parts & labour warranty

Certified to Australian Standards and design registered with Worksafe

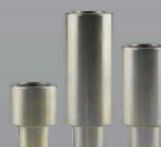
INCLUSIONS



Hydraulic Oil



Drop In
Screw Pads

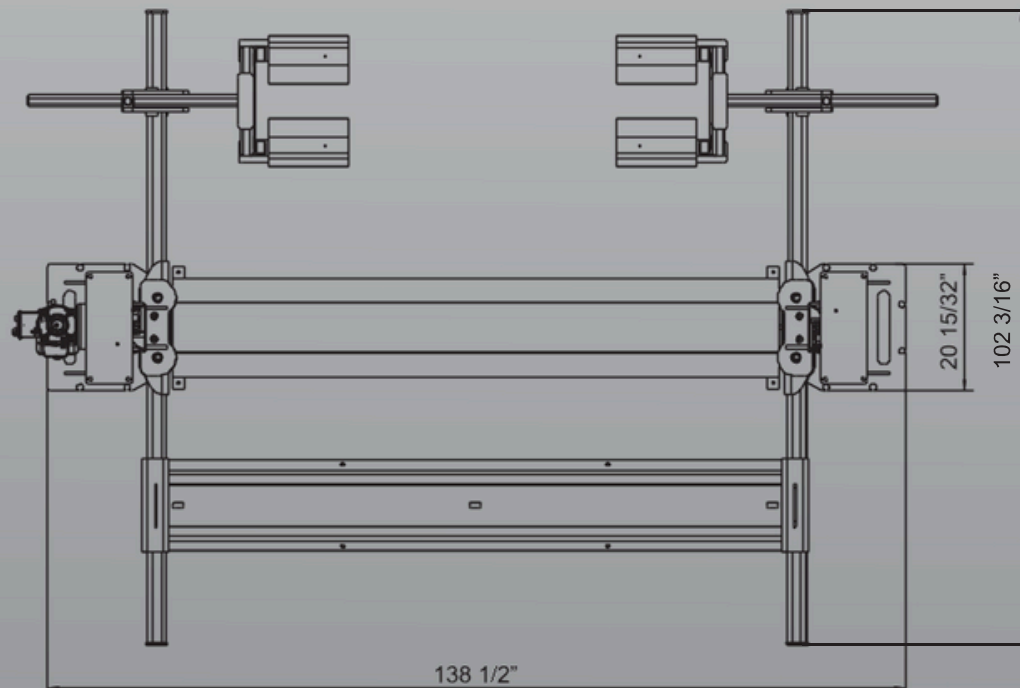
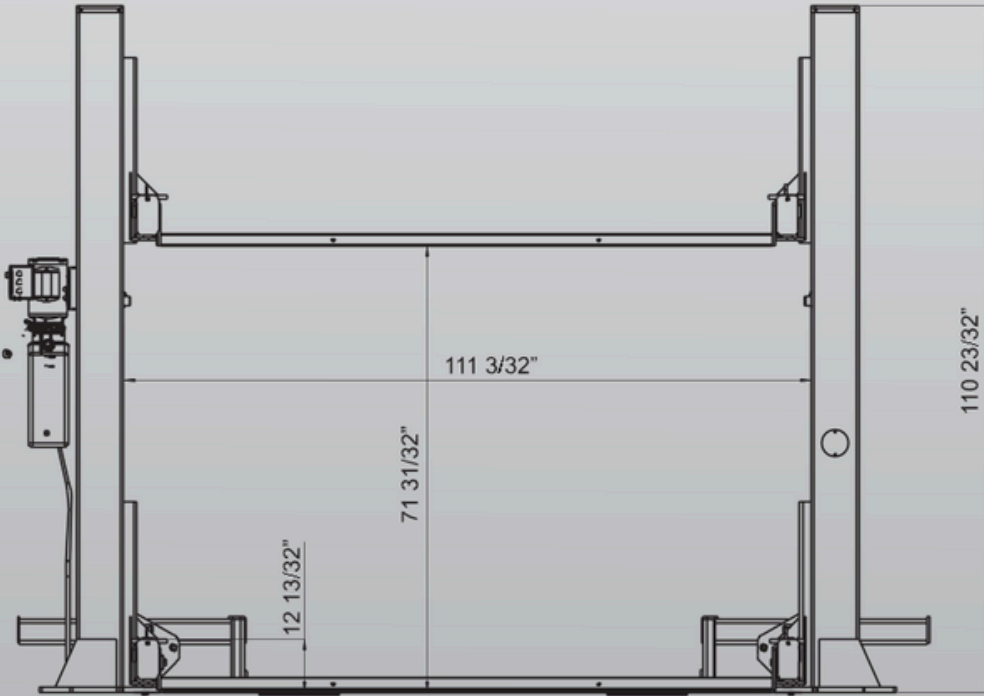


12 Piece
adapter set



Turf Kit

TLG4.0BP



Minimum Concrete Requirement	110mm
Recommended Ceiling Height	3.5-4m
Power Requirements	240v 2.2kw 15 amps 3 phase 2.2kw 7 amps
Freight Dimensions	1.294 x 75 x 56cm 615kg 2.272 x 53 x 51cm 475kg