

TLR4.00H

4.0 Ton 2 Post Clear Floor Hoist



» 4.0 Ton lifting capacity

» Single lock release

» Clear floor design

» Asymmetric arms

» Durable charcoal powder coat finish, with orange arms

» Design registered with Worksafe

» Optional EV charging station

» 5 years structure, 1 year electrical, parts & labour warranty

INCLUSIONS



Hydraulic Oil



Drop In Screw Pads



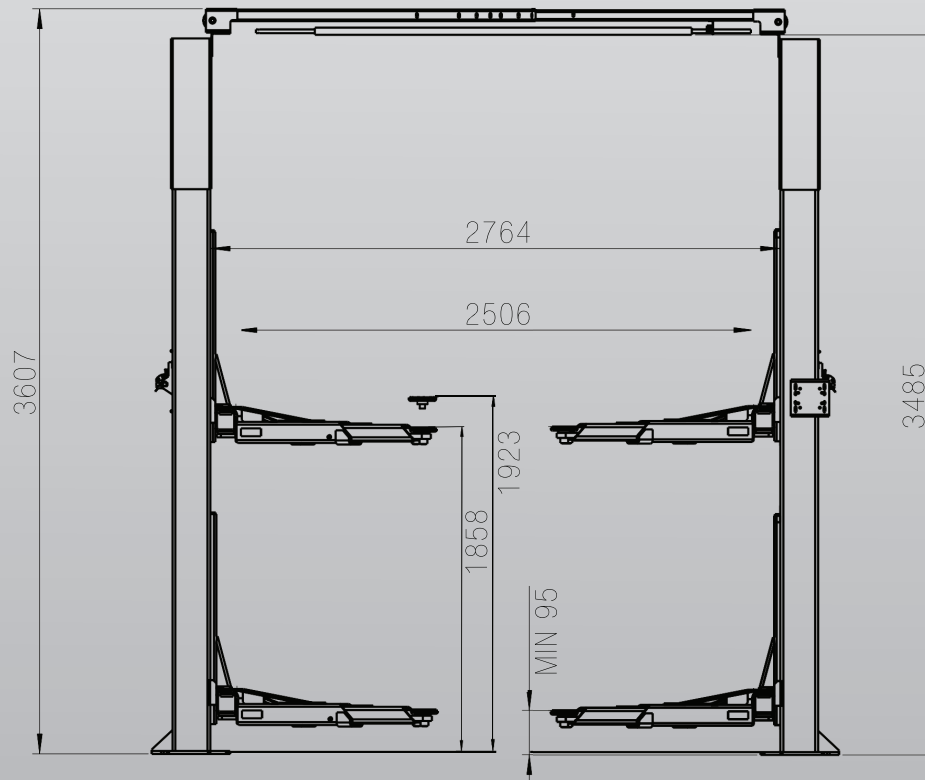
4WD Adapters

OPTIONS



EV Charging Station

TLR4.00H



Minimum Concrete Requirement

110mm

Recommended Ceiling Height

3.7m

Power Requirements

240v

15 amps

3 phase

7 amps

Freight Dimensions

290 x 48 x 110cm

680kg

